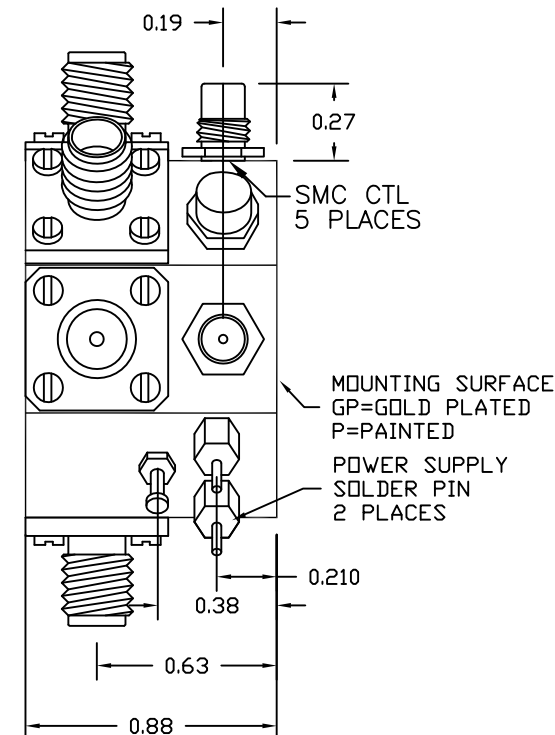
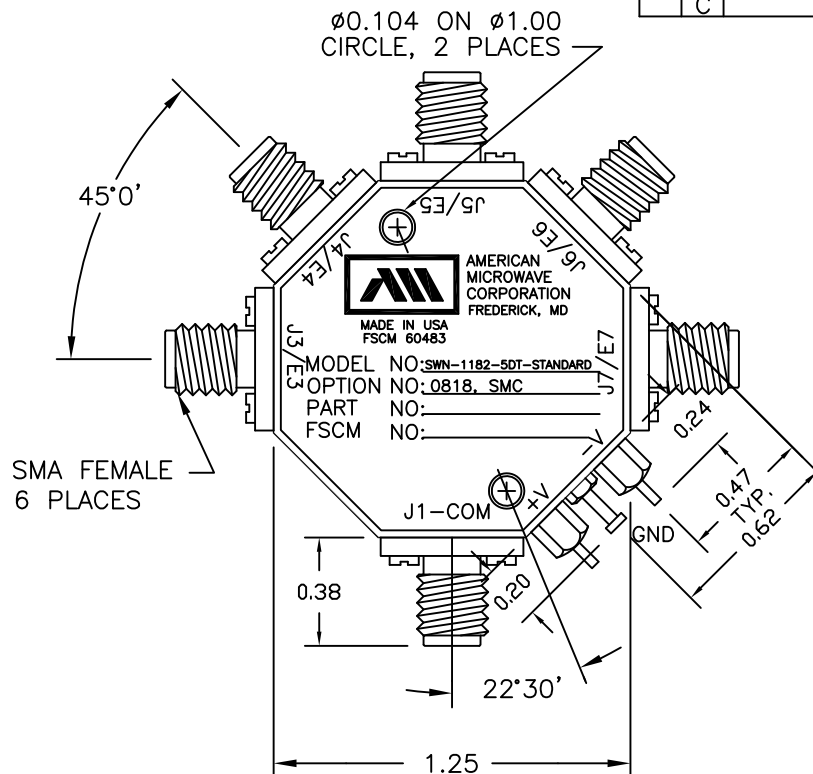


**DESCRIPTION:**

AMC MODEL SWN-1182-5DT-STANDARD OPTION 0818 & SMC IS A SINGLE POLE FIVE THROW SWITCH WITH SMA CONNECTORS AND SMC CONTROL CONNECTORS. IT HAS A FREQUENCY RANGE OF 0.8 TO 18GHz, 4.0dB MAXIMUM INSERTION LOSS, AND 60dB ISOLATION MINIMUM @ 18GHz.

**SPECIFICATIONS:**

- FREQUENCY: . . . . . 0.8 GHz TO 18 GHz
- INSERTION LOSS: . . . . . 4.0dB MAX.
- ISOLATION: . . . . . 0.8 GHz TO 18 GHz: 60dB MIN.
- VSWR: . . . . . IN/OUT: 2.0:1  
OUT/OFF: 2.0:1
- SPEED: . . . . . RISE: 15ns MAX.  
FALL: 15ns MAX.  
DELAY ON: 75ns MAX.  
DELAY OFF: 75ns MAX.
- POWER INPUT: . . . . . (CW)+20dBm (STANDARD)
- SURVIVAL POWER: . . . . . 1 WATT CW, 10 WATTS PEAK 1 usec
- CONTROL: . . . . . TTL LOGIC "0"=ON "1"=OFF
- POWER SUPPLY: . . . . . +5V @ 250 mA MAX.  
-5V @ 100mA MAX.



REVISIONS				
ZONE	REV.	DESCRIPTION	DATE	APPROVED
-	-	ORIGINAL RELEASE	10/8/07	
A		SEE ECR# 10-058	12/29/10	RA
B		SEE ECR# 11-001	1/10/11	RA
C		SEE ECR# 11-031	9/4/11	RA

SPECIFICATIONS REQUIRED	INSERTION LOSS 4dB MAX	VSWR (2:1/9.54dB) MAX	ISOLATION 60dB MIN	SWITCHING SPEED 75nS MAX	POWER 20dBm MAX (STD) 30dBm MAX (SURVIVAL)	AVG. UNIT ERROR (INCLUDING TEMP WAVES)
PERFORMANCE VARIATION/ INCONSISTENCY*	±0.5dB	±1dB	±5dB	±5nSEC	COMPLIANT	≤ 0.75dB

\* CONSISTENCY/STABILITY FOR EACH DEVICE

**ENVIRONMENTAL RATINGS:**

- TEMPERATURE: . . . . . -55°C TO +85°C (OPERATING)  
-65°C TO +125°C (STORAGE)
- HUMIDITY: . . . . . MIL-STD-202F, METHOD 103B COND. B
- SHOCK: . . . . . MIL-STD-202F, METHOD 213B COND. B
- VIBRATION: . . . . . MIL-STD-202F, METHOD 204D COND. B
- ALTITUDE: . . . . . MIL-STD-202F, METHOD 105C COND. B
- TEMPERATURE CYCLE: . . . . . MIL-STD-202F, METHOD 107D COND. A

ALL DIMENSIONS ARE IN INCHES  
TOLERANCES:

- X.XX ±0.020
- X.XXX ±0.010

NOTE: SPECIFICATIONS WILL VARY OVER OPERATING TEMPERATURE  
NOTE: THE ABOVE SPECIFICATIONS ARE SUBJECT TO CHANGE OR REVISION

\* Units are designed to meet Environmental ratings but not tested. If Environmental Testing is required, please contact Sales Department.

NOTE:

- DR=WITH DRIVER, REFLECTIVE
- DT=WITH DRIVER, NON-REFLECTIVE/ABSORPTIVE

CONTRACT NO.		AMERICAN MICROWAVE CORPORATION FREDERICK, MARYLAND		
APPROVALS	DATE	TITLE		
DRAWN <i>KMS</i>	10/8/07	PRODUCT FEATURE SWN-1182-5DT-STANDARD OPTION 0818, SMC NON-REFLECTIVE/ABSORPTIVE RADIAL SOLID STATE SWITCH		
CHECKED		SIZE	FSCM NO.	DWG NO.
ISSUED		A	60483	100-4183-3
		SCALE	N/S	SHEET 1 OF 1
				REV. C